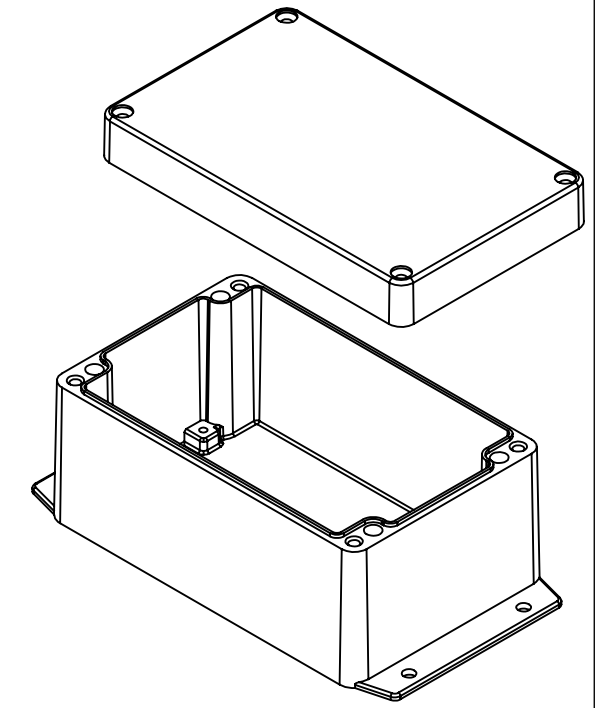
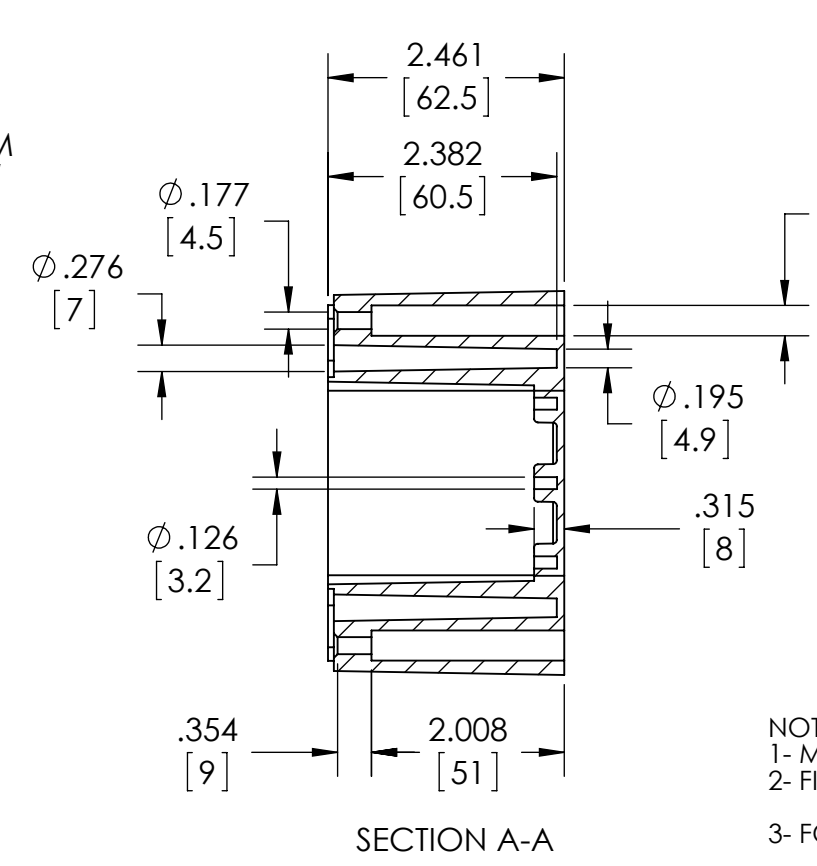
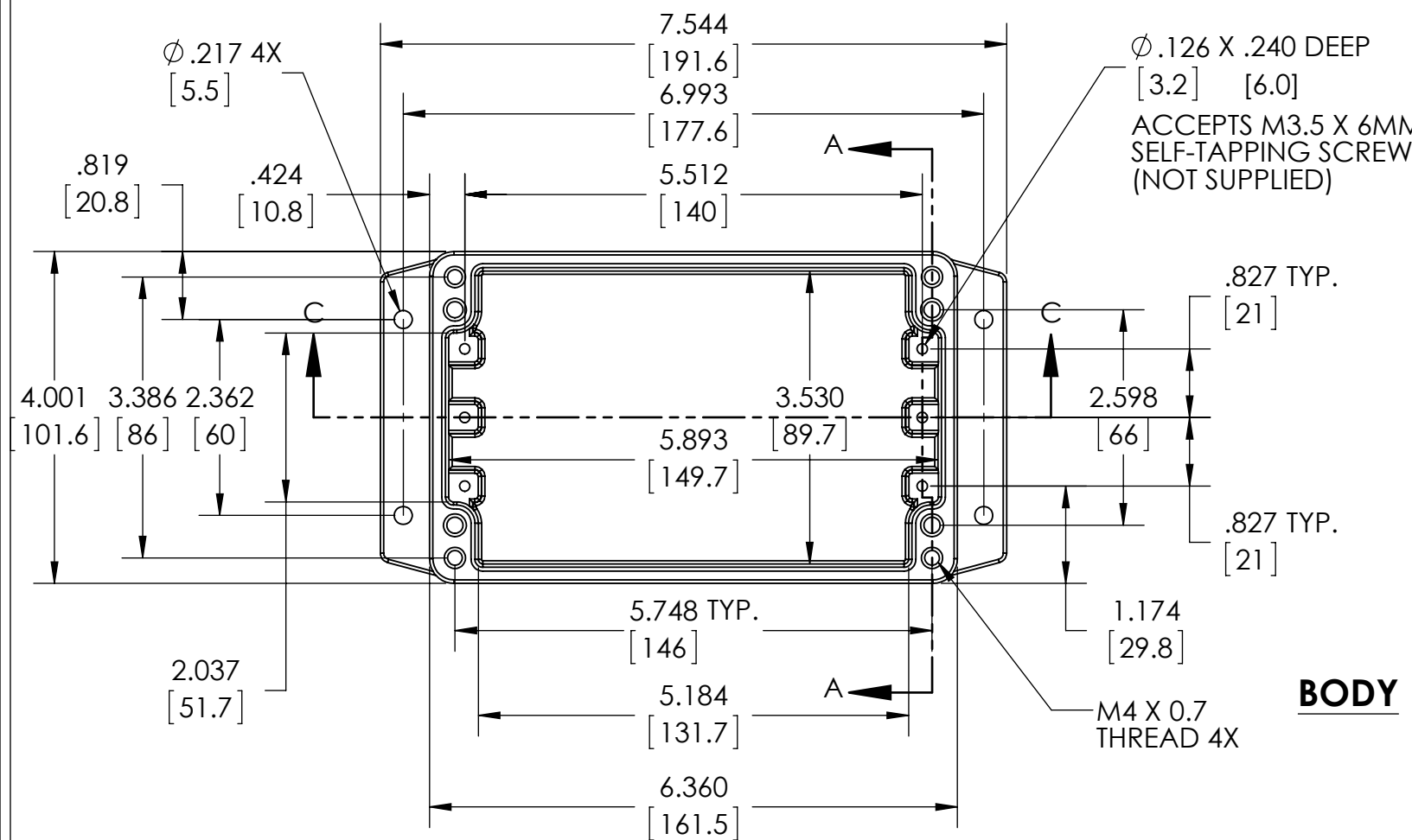


PART NAME	NEMA 4X DIE CAST ALUMINUM ENCLOSURE	PART No.	AN-2867	AN-2867-B	REVISION DATE	3-19-14
-----------	-------------------------------------	----------	---------	-----------	---------------	---------



- NOTES:
- 1- MATERIAL: ALUMINUM ALLOY ADC-12
 - 2- FINISH: NATURAL (NO SUFFIX) BLACK (SUFFIX -B)
 - 3- FOUR (4) M4 X 0.7mm SCREWS SUPPLIED FOR ASSEMBLY OF COVER TO BODY
 - 4- ALL HOLE DIAMETERS HAVE $\pm .005$ [.12] TOLERANCE. ALL OTHER DIMENSIONS HAVE $\pm .015$ [.38] TOLERANCE.
 - 5- ALL OUTSIDE DRAFT ANGLE: 1° ALL INSIDE DRAFT ANGLE: 1/2°
 - 6- DIMENSIONS ARE INCH[MM]

